

Separation made *simple.*

EYS Separator



EYS Screw Press Separators

DariTech is pleased to be the exclusive distributor of EYS Screw Press separators for the United States and Canada. By combining well established technology with the knowledge and wherewithal of DariTech, EYS produces the most effective screw press separators on the market today. Whatever your screw press separation needs, DariTech's EYS separators can get the job done. We invite you to call for more information.

EYS has a variety of separators to choose from depending on your goals:

EYS MODEL #: SP400



3 HP

Applications:

- Up to 26% dry matter
- Up to 200 cows

EYS MODEL #: SP600



7.5 HP

Applications:

- Up to 26% dry matter
- Up to 1,800 Cows

EYS MODEL #: SP800

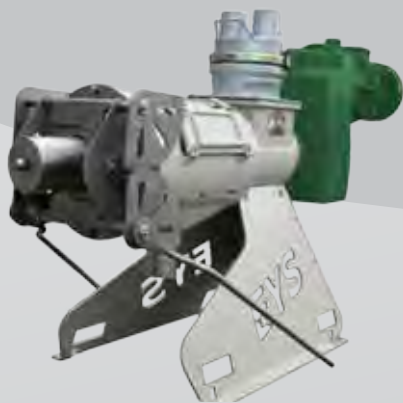


7.5 HP

Applications:

- Up to 26% dry matter
- Up to 2,200 cows

EYS MODEL #: SP600HD



7.5 HP

Applications:

- Up to 38% dry matter
- Up to 800 cows
- Ideal for green bedding
- Ideal for feeding a composter

EYS MODEL #: SP800HDS



7.5 HP

Applications:

- Up to 38% dry matter
- Up to 1,200 cows
- Ideal for green bedding

EYS MODEL #: SP800HD



15 HP

Applications:

- Up to 38% dry matter
- Up to 1,800 cows
- Ideal for green bedding

The Anatomy of an EYS Separator

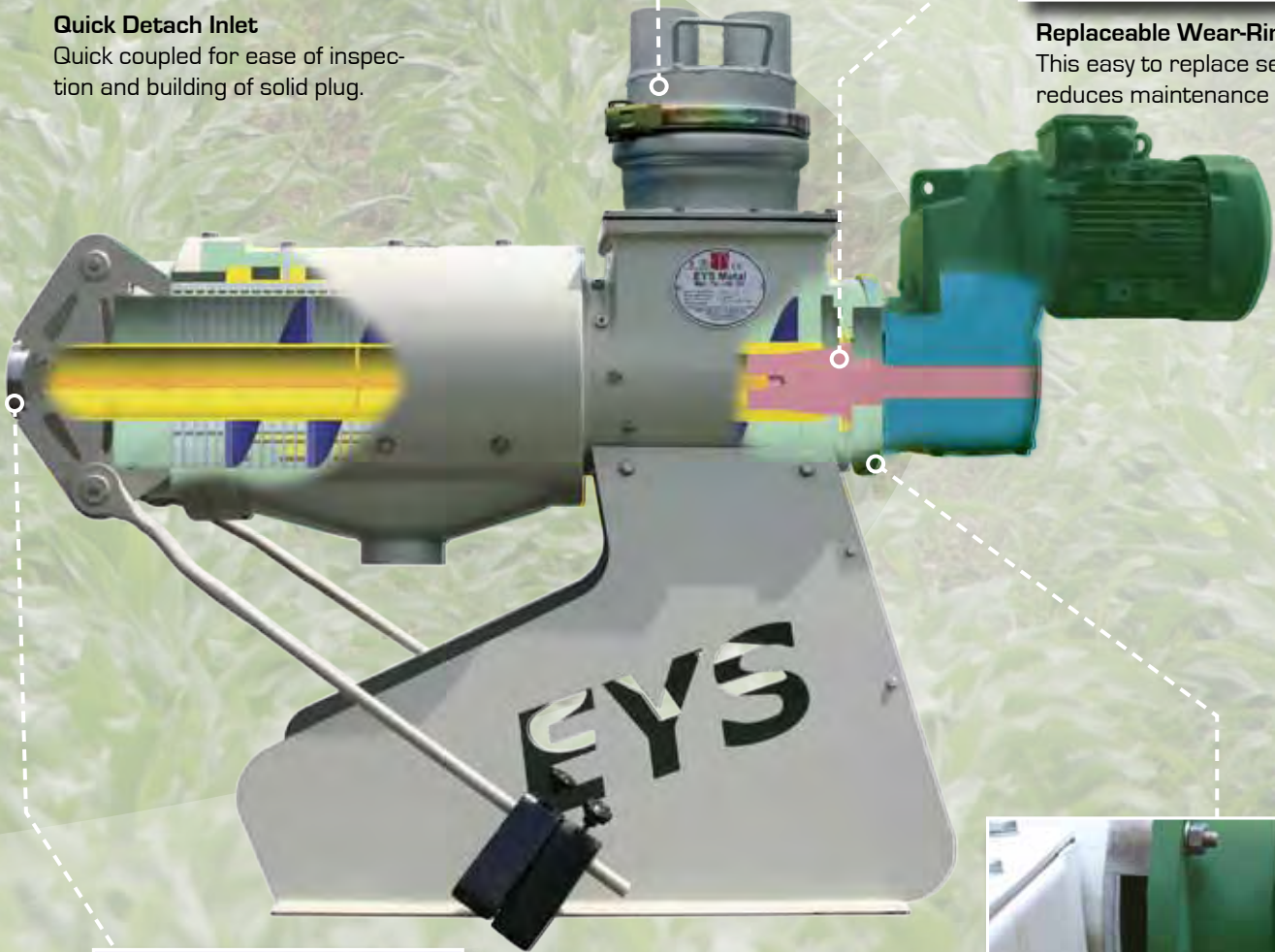
An insider's view.



Quick Detach Inlet
Quick coupled for ease of inspection and building of solid plug.



Replaceable Wear-Ring
This easy to replace seal reduces maintenance costs.



Easy to Assemble
It's simple to disassemble and reassemble the EYS separator.



True separation between housing and gearbox
Eliminates the risk of expensive maintenance costs by preventing manure from leaking into the gearbox.

EYS In Action



Above:
The 600HD EYS Screw Press Separator is designed to separate 35% - 38% dry matter for feeding a composter.

Right:
Manure is easily separated into dry, manageable solids for stacking or transport.



EYS Separator: A Separator ahead of it's time...

The EYS Screw Press Separator easily separates solids from liquid portions of fibrous manure. It's ideal for quickly and effectively turning manure into a valuable and marketable end-product.

Features include:

- Quickly dewater manure
- Reduces lagoon maintenance
- Increases lagoon storage capacity
- Various configurations available for individual dairy requirements
- Increases crop production by reducing solids on grass lands

DariTech, Inc.

8540 Benson Rd.

Lynden, WA 98264

(800) 701-3632

(360) 354-6900

Fax: (360) 354-7522

www.daritech.com

Authorized Dealer:

